

WATERPROOF DIGITAL DEPTH GAGE

IP67
WATERPROOF

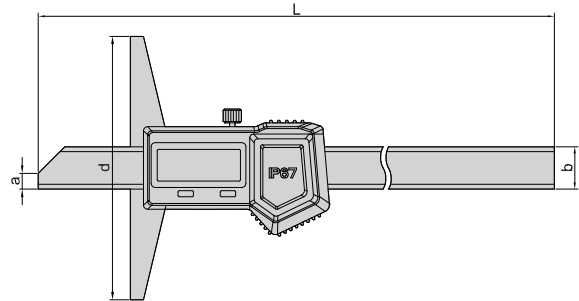
IT IS NECESSARY TO SET ZERO AFTER POWER ON EACH TIME



1149-150

- IP67 dust/waterproof
- Resolution: 0.01mm/0.0005"
- Button function: zero, on/off, mm/inch, ABS/REL, hold
- Battery CR2032
- Made of stainless steel

Code	Range	Accuracy	L	a	b	d
1149-150	0-150mm/0-6"	±0.03mm	240	6	16	100
1149-200	0-200mm/0-8"	±0.03mm	290	6	16	100
1149-300	0-300mm/0-12"	±0.04mm	390	6	16	150



DIGITAL DEPTH GAGE

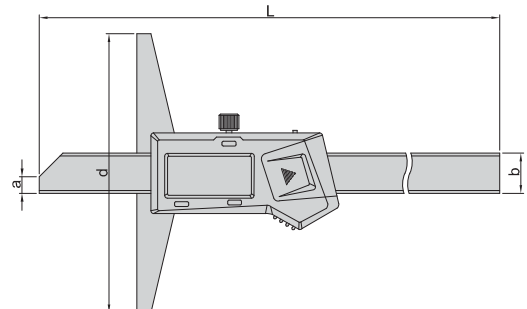
DATA OUTPUT



1141-150A

- Resolution: 0.01mm/0.0005"
- Buttons: on/off, zero, mm/inch
- Automatic power off, move the digital unit to turn on power
- Battery CR2032
- Data output
- Made of stainless steel
- Optional accessory: data output system

Code	Range	Accuracy	L	a	b	d
1141-150A	0-150mm/0-6"	±0.03mm	230	6	14.5	100
1141-200A	0-200mm/0-8"	±0.03mm	280	6	14.5	100
1141-300A	0-300mm/0-12"	±0.04mm	380	6	14.5	150
1141-500A	0-500mm/0-20"	±0.05mm	585	7	15	150



CAN BE INSTALLED WITH EXTENSION BASE

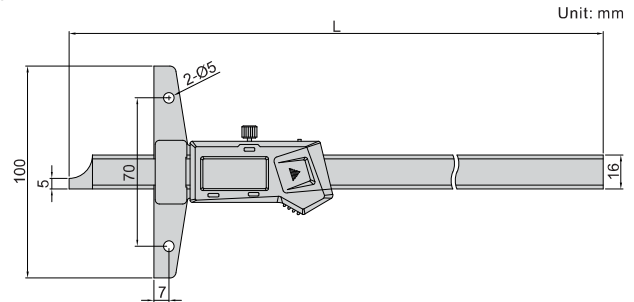
DATA OUTPUT

DIGITAL DEPTH GAGE



1147-300

- Resolution: 0.01mm/0.0005"
- Buttons: on/off, zero, mm/inch
- Automatic power off, move the digital unit to turn on power
- Battery CR2032
- Data output
- Made of stainless steel
- Optional accessory: data output system, extension base (code 6141)



extension base (optional)



Code	Range	Accuracy	L (mm)
1147-150	0-150mm/0-6"	±0.03mm	237
1147-200	0-200mm/0-8"	±0.03mm	287
1147-300	0-300mm/0-12"	±0.04mm	403

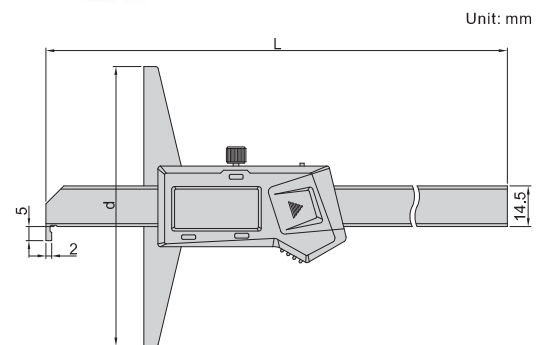
DATA OUTPUT

DIGITAL HOOK DEPTH GAGE

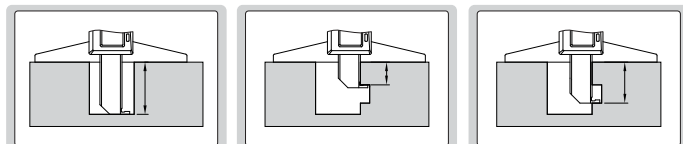


1142-150A

- Resolution: 0.01mm/0.0005"
- Buttons: on/off, zero, mm/inch
- Automatic power off, move the digital unit to turn on power
- Battery CR2032
- Data output
- Made of stainless steel
- Optional accessory: data output system



Code	Range	Accuracy	L (mm)	d (mm)
1142-150A	0-150mm/0-6"	±0.03mm	230	100
1142-200A	0-200mm/0-8"	±0.03mm	280	100
1142-300A	0-300mm/0-12"	±0.04mm	380	150



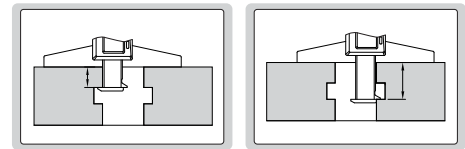
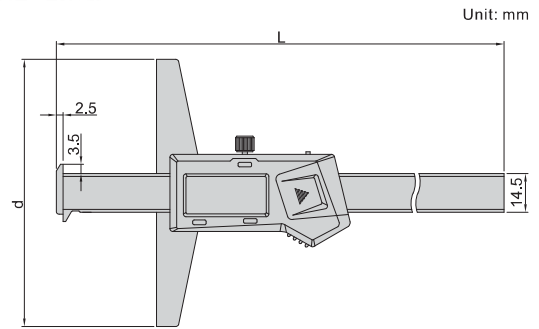
DIGITAL DOUBLE HOOK DEPTH GAGE

DATA
OUTPUT



1144-150A

- Resolution: 0.01mm/0.0005"
- Buttons: on/off, zero, mm/inch
- Automatic power off, move the digital unit to turn on power
- Battery CR2032
- Data output
- Made of stainless steel
- Optional accessory: data output system



(mm)

Code	Range	Accuracy	L	d
1144-150A	0-150mm/0-6"	±0.03mm	233	100
1144-200A	0-200mm/0-8"	±0.03mm	283	100
1144-300A	0-300mm/0-12"	±0.04mm	383	150

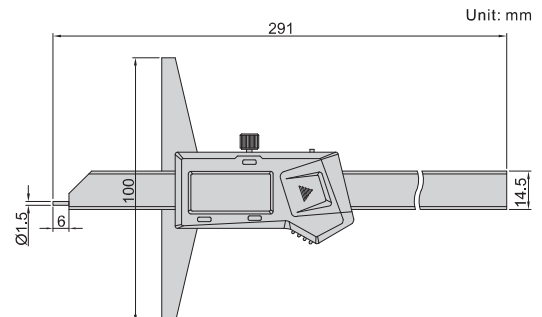
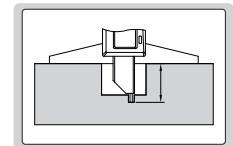
DIGITAL POINT DEPTH GAGE

DATA
OUTPUT



1143-200A

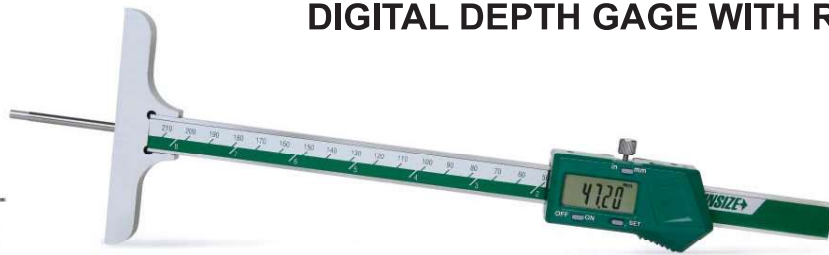
- Resolution: 0.01mm/0.0005"
- Buttons: on/off, zero, mm/inch
- Automatic power off, move the digital unit to turn on power
- Battery CR2032
- Data output
- Made of stainless steel
- Optional accessory: data output system



Code	Range	Accuracy
1143-200A	0-200mm/0-8"	±0.03mm

DATA
OUTPUT

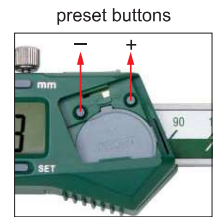
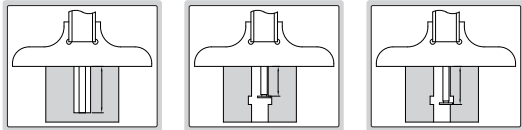
DIGITAL DEPTH GAGE WITH ROUND DEPTH BAR



CAN MEASURE DEPTH OF
SMALL HOLES (>Ø4mm)

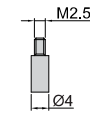


1148-200

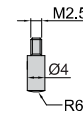


preset buttons

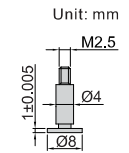
- Resolution: 0.01mm/0.0005"
- Supplied with three interchangeable points (flat, spherical, disk)
- Buttons: on/off, set, mm/inch, preset (+, -)
- Automatic power off, move the digital unit to turn on power
- Battery CR2032
- Data output
- Made of stainless steel
- Optional accessory: data output system



flat point

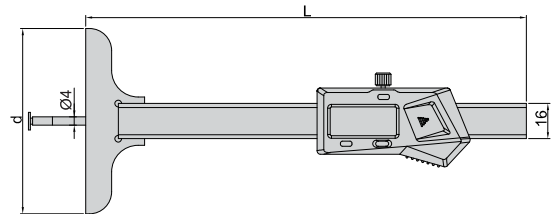


spherical point



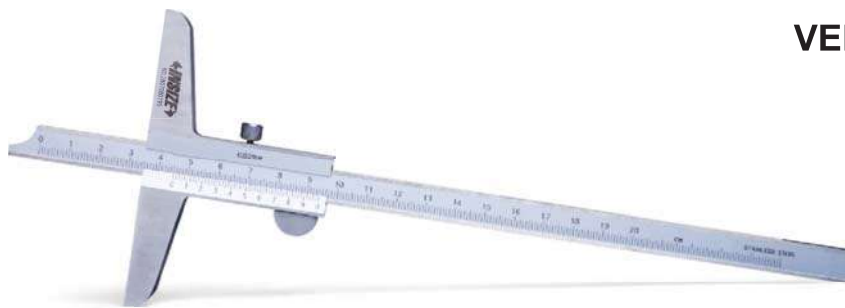
disk point

Unit: mm



Code	Range	Accuracy	L	d
1148-100	0-100mm/0-4"	±0.02mm	200	85
1148-200	0-200mm/0-8"	±0.03mm	300	101

VERNIER DEPTH GAGE



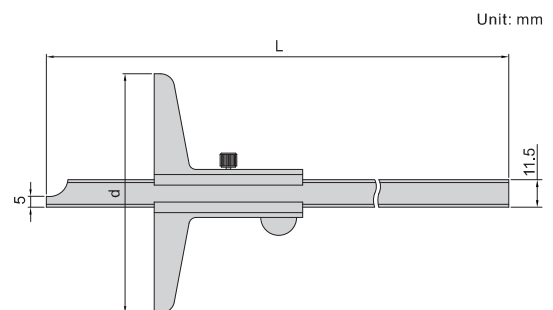
1240-2001

Graduation 0.02mm (mm)

Code	Range	Accuracy	L	d
1240-1501	0-150mm	±0.03mm	245	100
1240-2001	0-200mm	±0.03mm	282	100
1240-3001	0-300mm	±0.04mm	382	100
1240-5001	0-500mm	±0.05mm	585	150

Graduation 0.05mm (mm)

Code	Range	Accuracy	L	d
1240-150	0-150mm	±0.05mm	245	100
1240-200	0-200mm	±0.05mm	282	100
1240-300	0-300mm	±0.08mm	382	100
1240-500	0-500mm	±0.09mm	585	150



Unit: mm

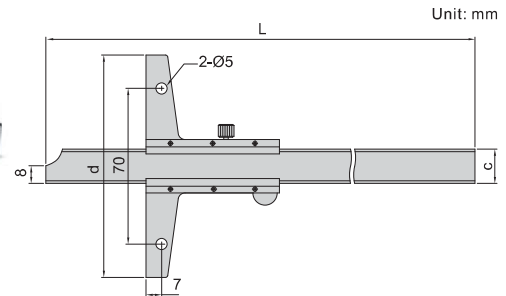
- Made of stainless steel
- Satin chrome plated reading surface

VERNIER DEPTH GAGE



1247-1501

- Made of stainless steel
- Satin chrome plating finish on reading surface
- Optional accessory: extension base (code 6141)



Graduation 0.02mm

Code	Range	Accuracy
1247-1501	0-150mm	±0.03mm
1247-2001	0-200mm	±0.03mm
1247-3001	0-300mm	±0.04mm
1247-6001	0-600mm	±0.05mm
1247-1001	0-1000mm	±0.07mm

Graduation 0.05mm

Code	Range	Accuracy
1247-150	0-150mm	±0.05mm
1247-200	0-200mm	±0.05mm
1247-300	0-300mm	±0.08mm
1247-600	0-600mm	±0.10mm
1247-1000	0-1000mm	±0.15mm

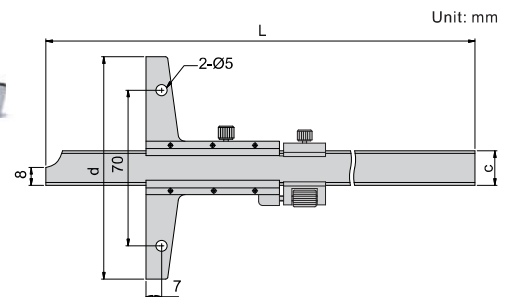
Range	L	c	d
0-150mm	240	16	100
0-200mm	290	16	100
0-300mm	390	16	100
0-600mm	704	18	150
0-1000mm	1124	18	200

VERNIER DEPTH GAGE



1249-1501

- With fine adjustment
- Made of stainless steel
- Satin chrome plating finish on reading surface
- Optional accessory: extension base (code 6141)



Graduation 0.02mm

Code	Range	Accuracy
1249-1501	0-150mm	±0.03mm
1249-2001	0-200mm	±0.03mm
1249-3001	0-300mm	±0.04mm

Graduation 0.05mm

Code	Range	Accuracy
1249-150	0-150mm	±0.05mm
1249-200	0-200mm	±0.05mm
1249-300	0-300mm	±0.08mm

Range	L	c	d
0-150mm	256	16	100
0-200mm	306	16	100
0-300mm	406	16	100