

DIGITAL HEIGHT GAGE

DATA
OUTPUT

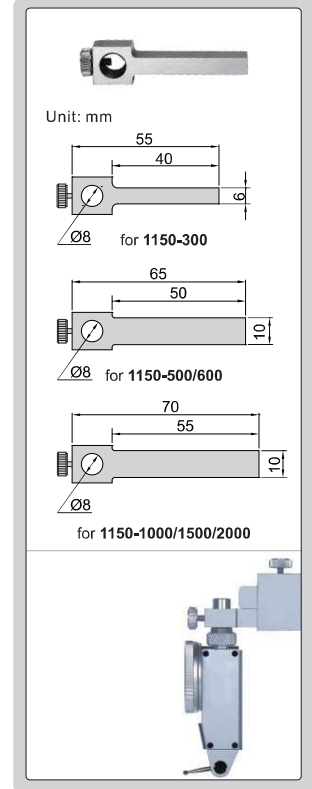
dial test indicator holder (included)



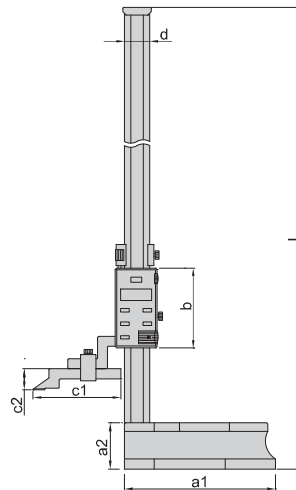
1150-1000



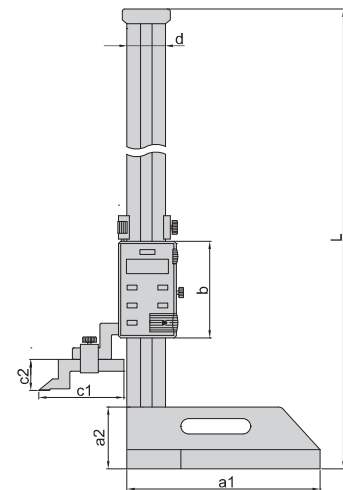
1150-500



- Resolution: 0.01mm/0.0005"
- Buttons: on/off, zero, mm/inch, ABS/INC, data hold, TOL, set
- ABS/INC is for absolute and incremental measurement
- TOL is for tolerance measurement
- Carbide tipped scriber
- Made of stainless steel (except the base)
- SR44 or LR44 battery
- Data output
- Supplied with dial test indicator holder
- Optional accessory: data output cable (code 7301-SPC5)



type A



type B

(mm)

Code	Range	Type	Accuracy	L	a1	a2	b	c1	c2	d
1150-300	0-300mm/0-12"	A	±0.04mm	470	135	45	80	76	25	23
1150-500	0-500mm/0-20"	A	±0.05mm	720	180	55	95	103	25	30
1150-600	0-600mm/0-24"	A	±0.05mm	820	180	55	95	103	25	30
1150-1000	0-1000mm/0-40"	B	±0.07mm	1275	250	80	125	110	39	50
1150-1500	0-1500mm/0-60"	B	±0.11mm	1790	280	80	125	110	39	50
1150-2000	0-2000mm/0-80"	B	±0.15mm	2290	280	80	125	110	39	50

data output cable



7301-SPC5

DIGITAL HEIGHT GAGE

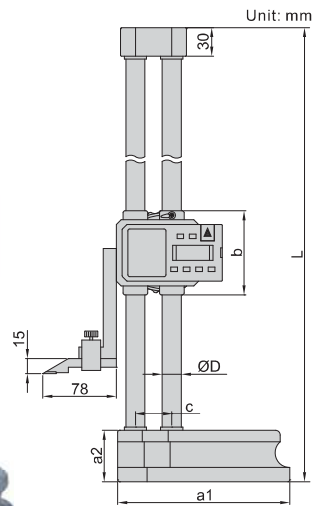


driving wheel

- Resolution: 0.01mm/0.001"
- Buttons: on/off, zero, mm/inch, ABS/INC, preset +, preset -, set
- ABS/INC is for absolute and incremental measurement
- Carbide tipped scriber
- Made of stainless steel (except the base)
- SR44 or LR44 battery
- With driving wheel
- Optional accessory: dial test indicator holder (code 6293-6)

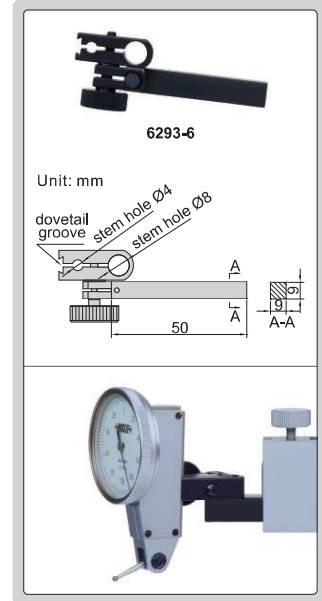


1151-300



Unit: mm

dial test indicator holder (optional)



6293-6

Unit: mm

Code	Range	Accuracy	L	a1	a2	b	c	ØD
1151-300	0-300mm/0-12"	±0.04mm	475	135	43	84	33	15
1151-450	0-450mm/0-18"	±0.05mm	660	180	54	88	38	20
1151-600	0-600mm/0-24"	±0.05mm	810	180	54	88	38	20

(mm)

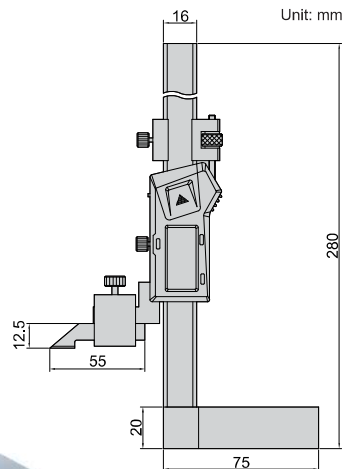
DATA
OUTPUT

DIGITAL HEIGHT GAGE

- Resolution: 0.01mm/0.0005"
- Buttons: on/off, zero, mm/inch
- Automatic power off, move the digital unit to turn on power
- Carbide tipped scriber
- With fine adjustment
- Made of stainless steel
- Battery CR2032
- Data output
- Optional accessory: data output system, dial test indicator holder (code 7151-CL1)

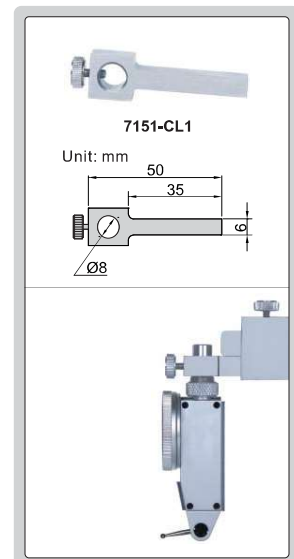


1154-150



Unit: mm

dial test indicator holder (optional)

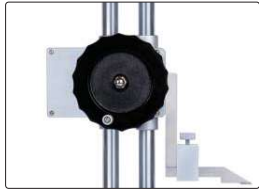


7151-CL1

Unit: mm

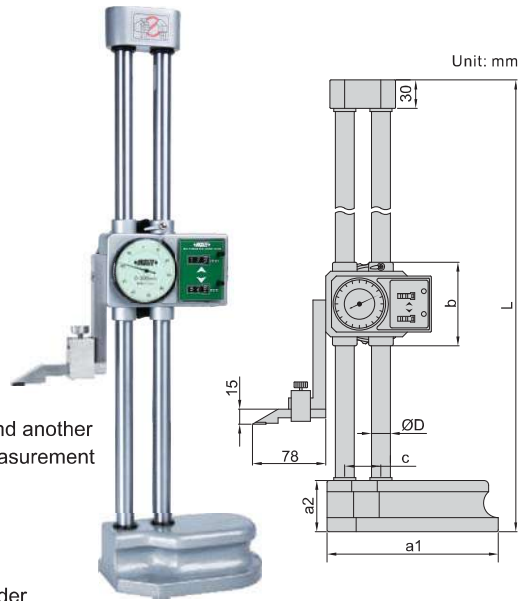
Code	Range	Accuracy
1154-150	0-150mm/0-6"	±0.03mm

DIAL HEIGHT GAGE



driving wheel

- Dial indicator graduation: 0,01mm
- One counter reads in the plus direction and another in the minus direction, so incremental measurement can be made in either direction
- Carbide tipped scriber
- Made of stainless steel (except the base)
- With driving wheel
- Optional accessory: dial test indicator holder (code 6293-6)

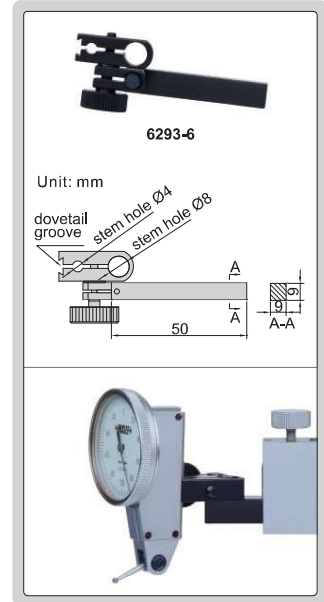


1351-300

(mm)

Code	Range	Accuracy	L	a1	a2	b	c	ØD
1351-300	0-300mm	±0,04mm	475	135	43	84	33	15
1351-450	0-450mm	±0,05mm	660	180	54	88	38	20
1351-600	0-600mm	±0,05mm	810	180	54	88	38	20

dial test indicator holder (optional)



6293-6

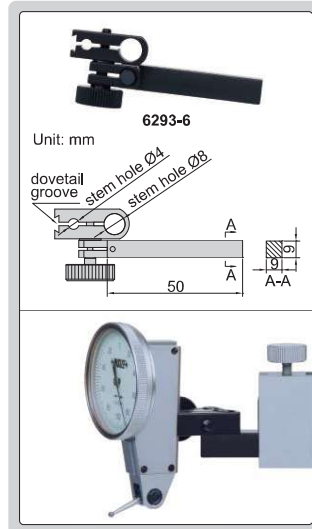
Unit: mm

dovetail groove
stem hole Ø4
stem hole Ø8

VERNIER HEIGHT GAGE

dial test indicator holder (optional)

- Graduation: 0,02mm/0,001"
- Adjustable main scale to set zero
- Carbide tipped scriber
- Made of stainless steel (except the base)
- Satin chrome plated scale
- Supplied with magnifier
- With fine adjustment
- Optional accessory: dial test indicator holder (code 6293-6), not suitable for 1250-1000



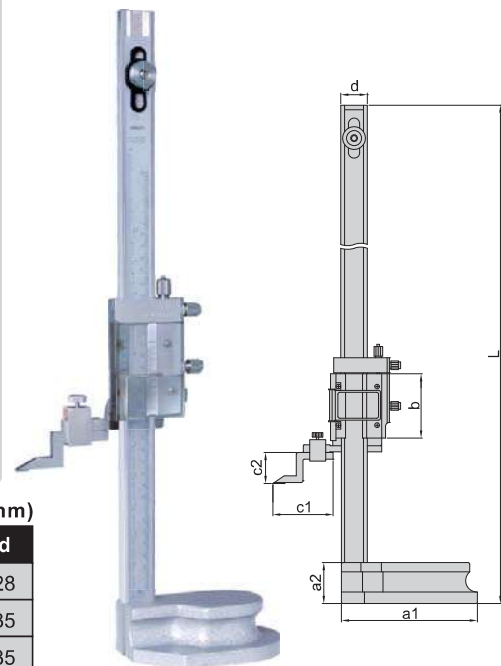
6293-6

Unit: mm

dovetail groove
stem hole Ø4
stem hole Ø8

(mm)

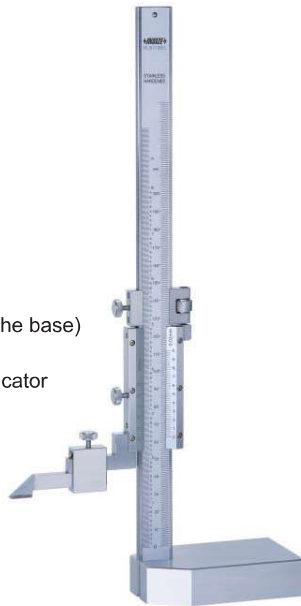
Code	Range	Accuracy	L	a1	a2	b	c1	c2	d
1250-300	0-300mm/0-12"	±0,04mm	545	135	43	75	80	30	28
1250-450	0-450mm/0-18"	±0,05mm	720	180	54	85	80	41	35
1250-600	0-600mm/0-24"	±0,05mm	870	180	54	85	80	41	35
1250-1000	0-1000mm/0-40"	±0,07mm	1310	270	70	85	204	50	40



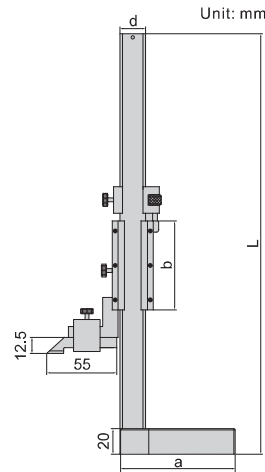
1250-300

VERNIER HEIGHT GAGE

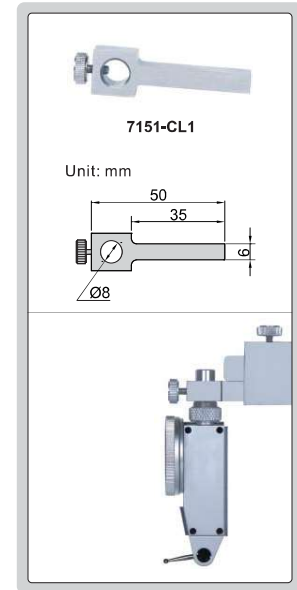
- Graduation 0.02mm/0.001"
- Carbide tipped scriber
- Made of stainless steel (except the base)
- Satin chrome plated scale
- Optional accessory: dial test indicator holder (code 7151-CL1)



1253-200



dial test indicator holder (optional)



Code	Range	Accuracy	L	a	b	d
1253-150	0-150mm/0-6"	±0.03mm	265	75	57	16
1253-200	0-200mm/0-8"	±0.03mm	325	90	70	20

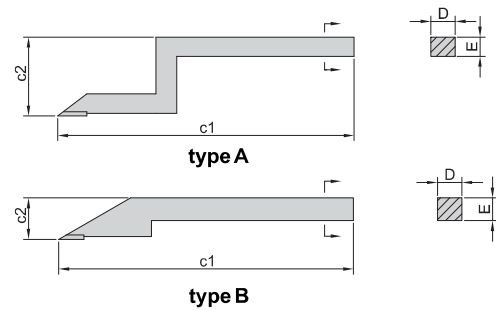
(mm)

SCRIBER FOR HEIGHT GAGES



7150-SC1

- Carbide tipped



Code	For height gages	Type	c1	c2	D	E
7150-SC1	1150-300	A	76	25	6	8
7150-SC2	1150-500, 1150-600	A	103	25	10	12
7150-SC3	1150-1000, 1150-1500, 1150-2000	A	110	39	10	15
7150-SC4	1151-300, 1151-450, 1151-600, 1351-300, 1351-450, 1351-600	B	78	15	9	9
7150-SC6	1250-300	A	80	30	9	9
7150-SC7	1250-450, 1250-600	A	80	41	9	9
7150-SC8	1250-1000	A	204	50	10	16
7150-SC9	1253-150, 1253-200, 1154-150	B	55	12.5	6	8

(mm)